



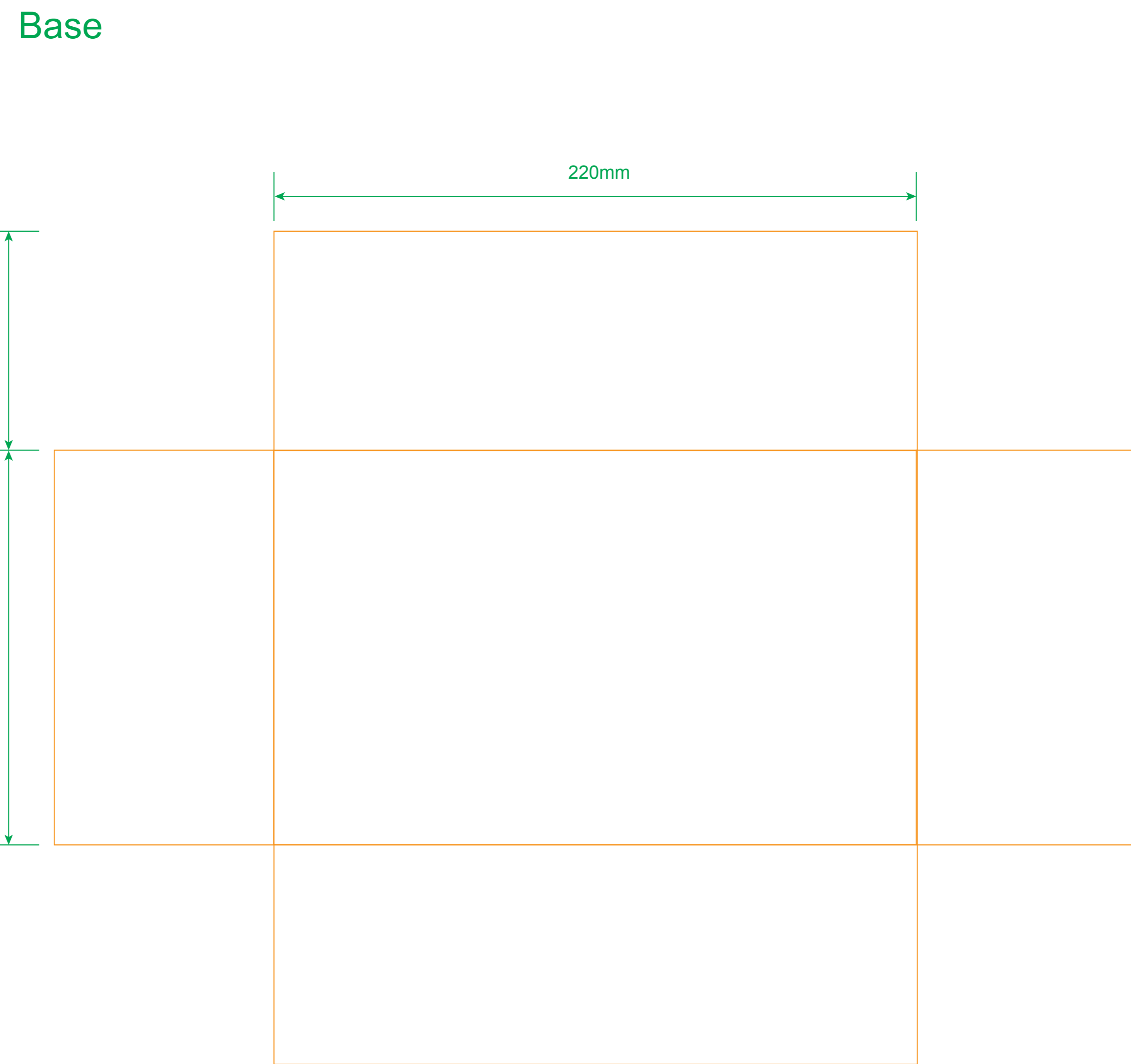
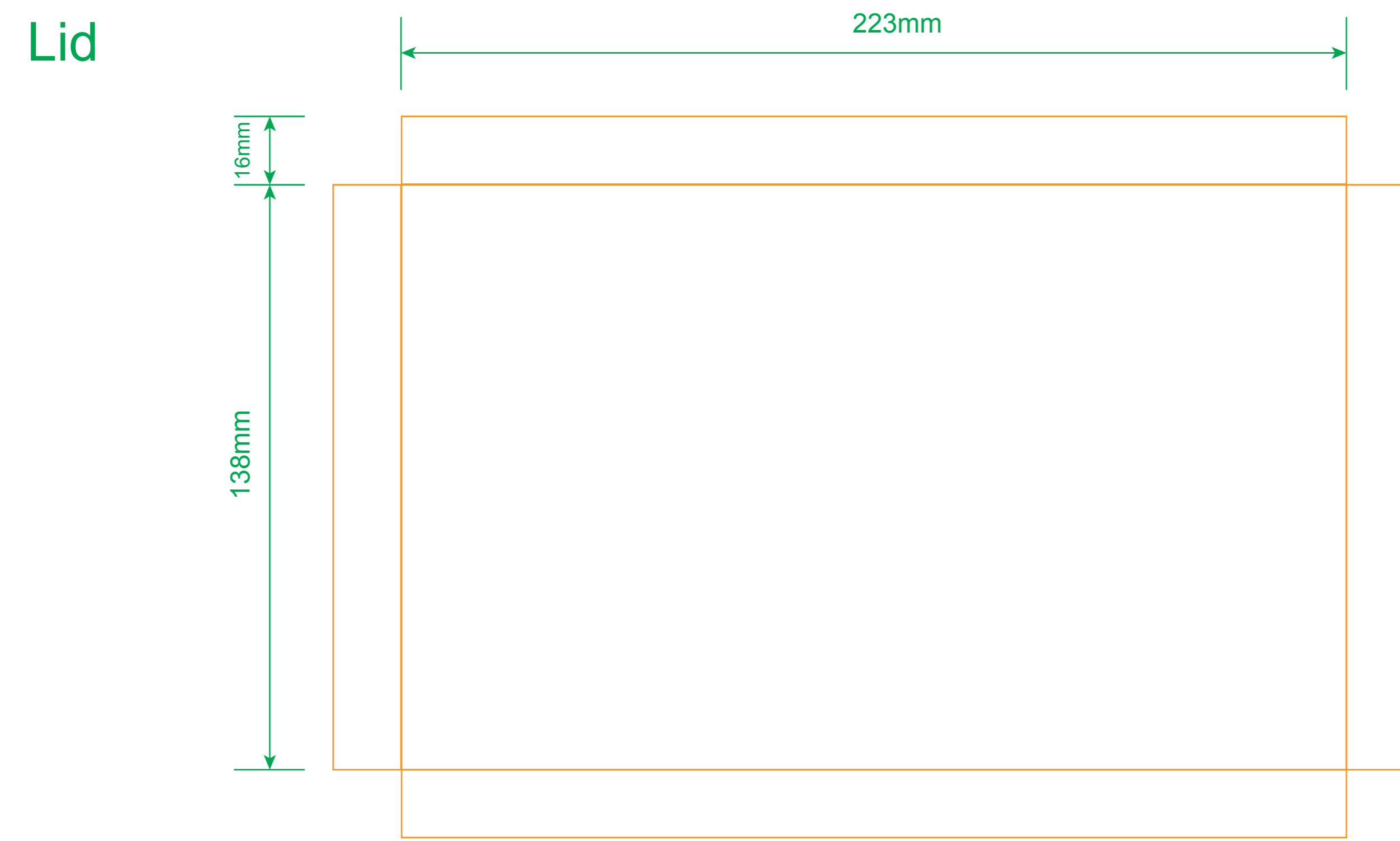
PACKAGINGHEAVEN

Name	Client
Date	Date of Artwork
Type	-
Size	(WxLxH mm)
Material	-
Weight	-
Lamination	-

Closure Type	-
Material	-
Colour	-
Hight	-

Print & Finish	(Two Colours & Varnish)
	Guide - DO NOT PRINT
	Cutter - DO NOT PRINT
	CMYK/PANTONE #
	CMYK/PANTONE #
	CMYK/PANTONE #
	CMYK/PANTONE #
	CMYK/PANTONE #
	CMYK/PANTONE #
	CMYK/PANTONE #
	CMYK/PANTONE #
	CMYK/PANTONE #
	CMYK/PANTONE #
	CMYK/PANTONE #

Box Structure



Outside Paper Coating

